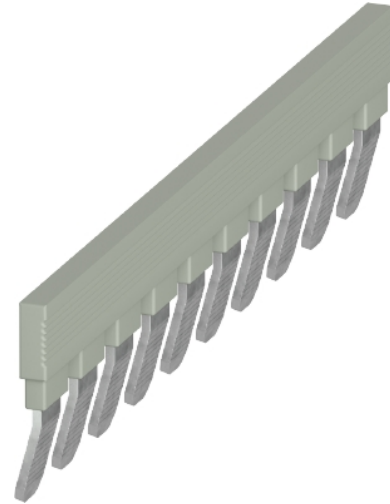


Data sheet

Commercial Art.No.: 0D.S36.4027.0

insert bridge IVB WTN 35-10 IN

insert bridge IVB WTN 35-10 IN modular spacing 16 mm, insulated yes, number of poles 10, color grey, height 34 mm, mounting method screwable, inflammability class of insulation material acc. with ul94 V0



| | |
|--------------------|---------------|
| Commercial Art.No. | 0D.S36.4027.0 |
| EAN | 4049088723995 |
| Order Unit | 100 |

Technical data

general

| | |
|--|-----------------|
| color | grey |
| inflammability class of insulation material acc. with UL94 | V0 |
| width/grid dimension | 156.5 mm |
| length | 4.5 mm |
| modular spacing | 16 mm |
| number of bridged clamps | 10 |
| mounting method | screwable |
| insulated | yes |
| model | cross connector |
| height | 34 mm |

classification

| | |
|----------|----------|
| ETIM 9.0 | EC000489 |
|----------|----------|

product compliance

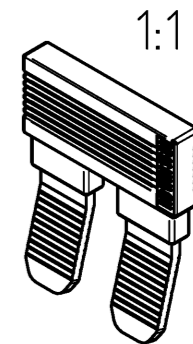
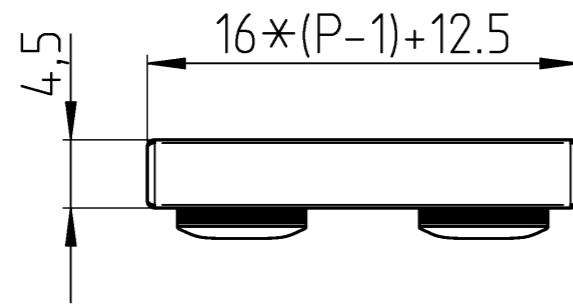
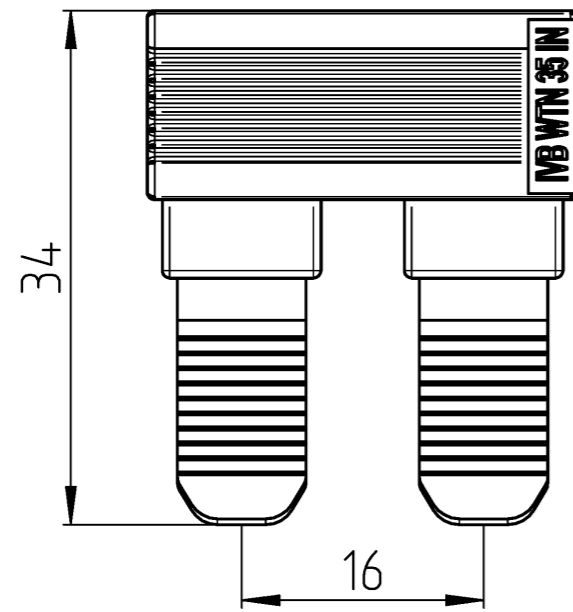
| | |
|------------------------------|-----------|
| REACH-SVHC conformity status | compliant |
|------------------------------|-----------|

A
 © Alle Rechte vorbehalten
 © All rights reserved
 Vertraulich
 Confidential

B
 These dimensions will be especially checked at delivery
 Only inspection dimensions
 With /E marked dimensions are only valid for internal use

C
 Diese Maße werden bei Abnahme besonders geprüft
 Ausschließlich Prüfmaße
 Mit /E gekennzeichnete Maße sind nur für interne Zwecke gültig

F



| Bestell-Nr. /order no. | Polzahl P /number of poles P | Typ /type | Farbe /colour | VPE: packaging unit: |
|---------------------------|---------------------------------|------------------|------------------|-------------------------|
| 0D.S36.3227.0 | 2 | IVB WTN 35-2 IN | grau / grey | (a) 100 |
| 0D.S36.3327.0 | 3 | IVB WTN 35-3 IN | grau / grey | |
| 0D.S36.3427.0 | 4 | IVB WTN 35-4 IN | grau / grey | |
| 0D.S36.3527.0 | 5 | IVB WTN 35-5 IN | grau / grey | |
| 0D.S36.3627.0 | 6 | IVB WTN 35-6 IN | grau / grey | |
| 0D.S36.3727.0 | 7 | IVB WTN 35-7 IN | grau / grey | |
| 0D.S36.3827.0 | 8 | IVB WTN 35-8 IN | grau / grey | |
| 0D.S36.3927.0 | 9 | IVB WTN 35-9 IN | grau / grey | |
| 0D.S36.4027.0 | 10 | IVB WTN 35-10 IN | grau / grey | |

Weitere Daten siehe KATALOG oder eKatalog
 additional data see CATALOG or eCATALOG
www.wieland-electric.com
eshop.wieland-electric.com

| | | | |
|---|--|---|--|
| Tolerierung Size ISO 14405 © / Tolerance system Size ISO 14405 ©. (This ISO-standard describes the envelope principle. According to the envelope principle the deviations of form and parallelism are limited by the size tolerances). | | ja/yes <input checked="" type="checkbox"/> Stoffverbots- und Deklarationsliste nach WN 5020.010 ist einzuhalten. Conformity with Wieland document WN 5020.010 e (list of prohibited / declarable hazardous substances) to be declared! | |
| Freitoleranz nach General tolerance | | CAD - Zeichnung, keine manuellen Änderungen CAD - drawing, no manual modifications allowed | |
| 1. Verwendung: First Use: | | Blatt: 1 von 1 Sheet: 1 of 1 | |
| Werkstoff / Material | | Zeichnung Nr. / Drawing No. | |
| gezeichnet drawn | | Name | |
| Tag/Date | | Eichhorn N. | |
| Maßstab / Scale | | T 0D.S36.3227.0 13K a | |
| 2:1 | | Elektronische Freigabe Electronic Release | |
| Vol. mm³ / Of./Srf. mm² | | Maße in mm / Dimensions are in mm | |
| Ersatz für / Replacement for: | | Type | |
| a 19.11.2025 / Index Datum / Blatt Date / Sheet | | Benennung/Title | |
| Änderung / Revision | | EINLEGEBRUECKE connection plug | |

